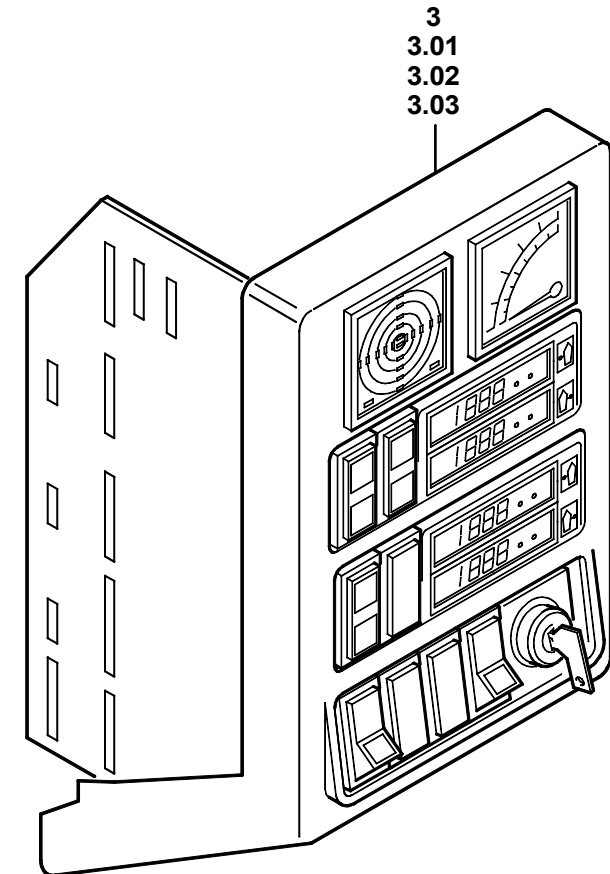
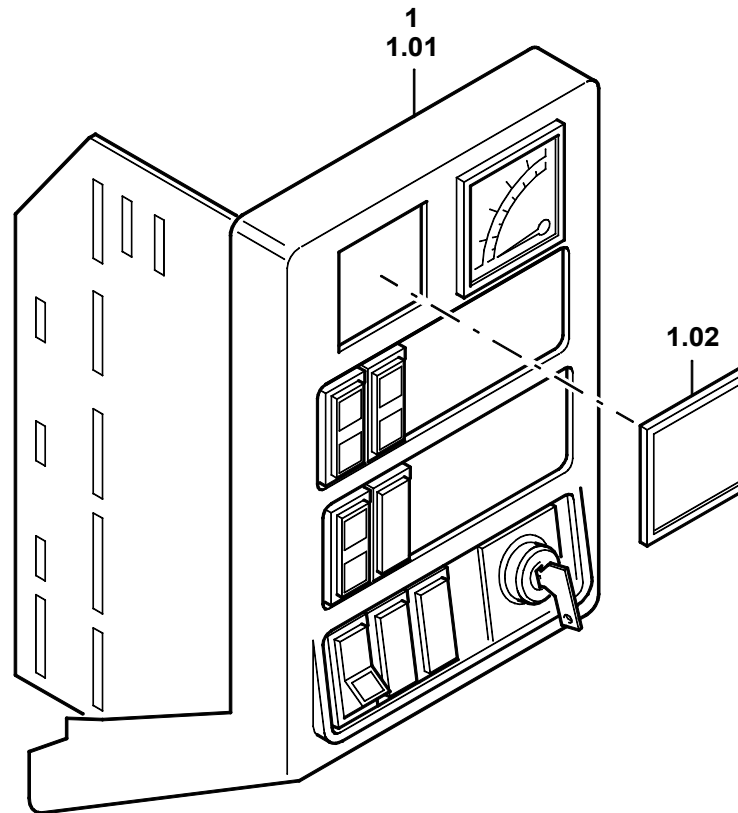
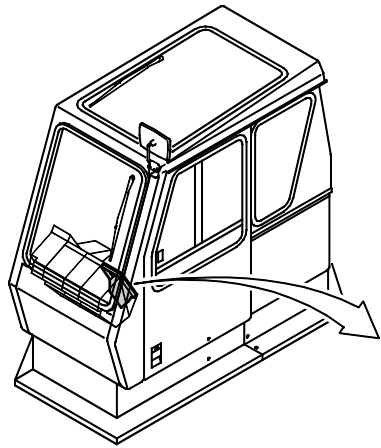


GROVEEINSCHUEBE 6.2D
SLIDE - IN UNIT 6.2DBILDТАFEL
PICTORIAL DISPLAYGMK 5100
BE 630
G 807

05.02

3053729-ETL B

1/2



GROVEEINSCHUEBE 6.2D
SLIDE - IN UNIT 6.2DBILDTAFEL
PICTORIAL DISPLAY

05.02

3053729-ETL B

2/2

GMK 5100
BE 630
G 807